


Kuri Tec® ENDURE™
Push-To-Connect DOT Air Brake Fittings –
Union

VIEW ONLINE

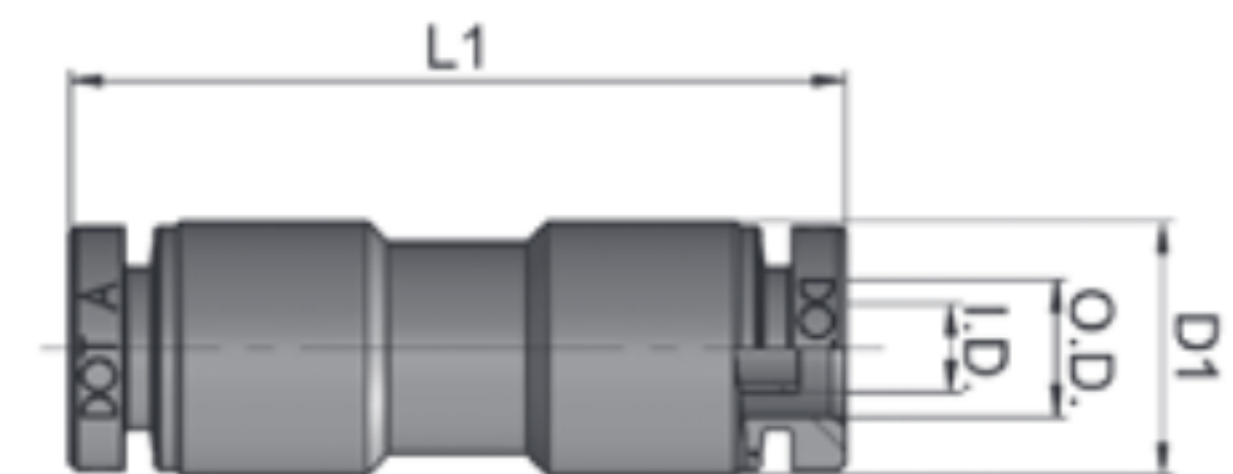


SCAN
FOR INFO

or

visit
KOA.link/Union

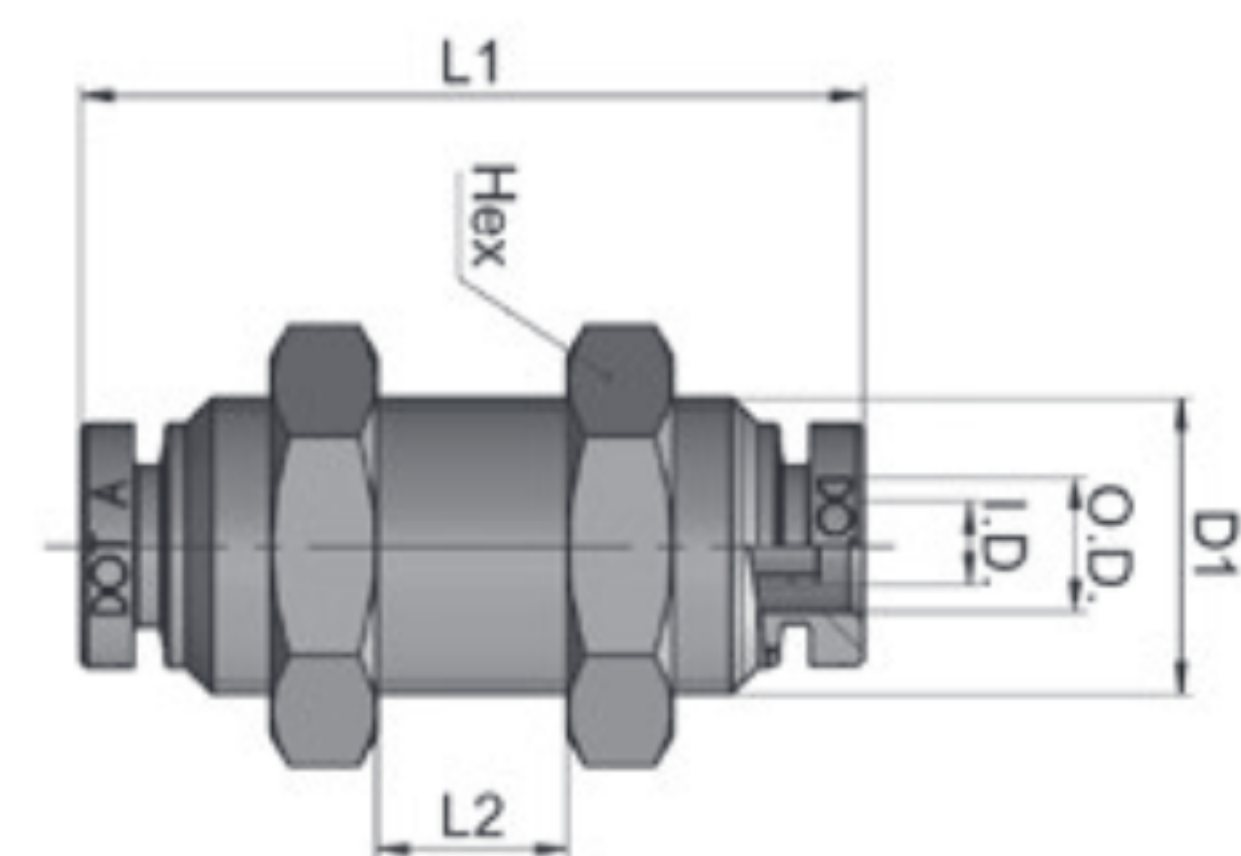
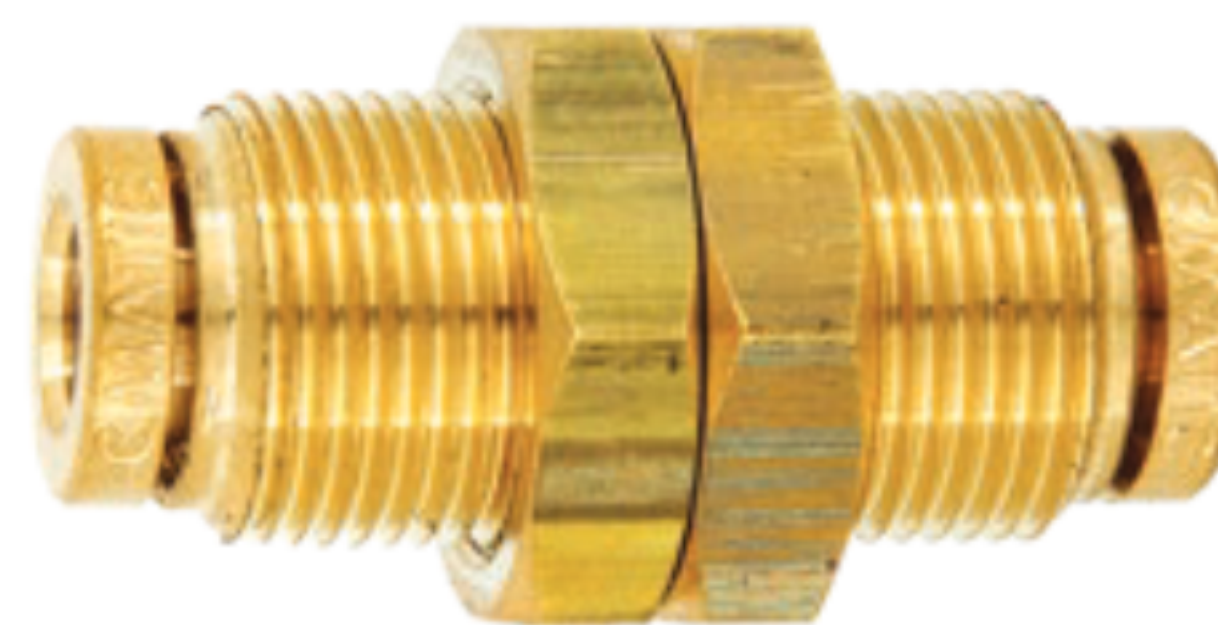
DOT-BRUN Series
Union



Part Number	Description	Tube OD (in)	Tube [†] ID (in)	D1 (in)	L1 (in)	Weight Each (lbs)	Pieces Per Package*
DOT-BRUN-0404	Union 1/4 TB X 1/4 TB	1/4	.165	0.472	1.323	0.064	25
DOT-BRUN-0606	Union 3/8 TB X 3/8 TB	3/8	.244	0.630	1.520	0.069	25
DOT-BRUN-0808	Union 1/2 TB X 1/2 TB	1/2	.362	0.787	1.709	0.201	25
DOT-BRUN-1010	Union 5/8 TB X 5/8 TB	5/8	.433	0.945	2.047	0.172	10
DOT-BRUN-1212	Union 3/4 TB X 3/4 TB	3/4	.559	1.102	2.244	0.225	10

† **NOTE:** The “Tube ID (in)” column heading refers to “Tube Support ID (in)”
*Only sold in package quantities

DOT-BRBH Series
Bulkhead Union



Part Number	Description	Tube OD (in)	Tube [†] ID (in)	D1 Thread Size (mm) x TP (mm)	L1 (in)	L2 (in)	HEX (mm)	Weight Each (lbs)	Pieces Per Package*
DOT-BRBH-0404	Bulkhead Union 1/4 TB X 1/4 TB	1/4	.165	M14x1	1.457	.571	18	0.039	25
DOT-BRBH-0606	Bulkhead Union 3/8 TB X 3/8 TB	3/8	.244	M18x1	1.614	.689	22	0.131	25
DOT-BRBH-0808	Bulkhead Union 1/2 TB X 1/2 TB	1/2	.362	M22x1.5	1.709	.728	26	0.188	25
DOT-BRBH-1010	Bulkhead Union 5/8 TB X 5/8 TB	5/8	.433	M26x1.5	2.047	.866	32	0.334	10

† **NOTE:** The “Tube ID (in)” column heading refers to “Tube Support ID (in)”
*Only sold in package quantities

Because we continually examine ways to improve our products, we reserve the right to alter specifications or discontinue products without prior notice.